

A

B

C

D

E

F

A

B

C

D

E

F

1

2

3

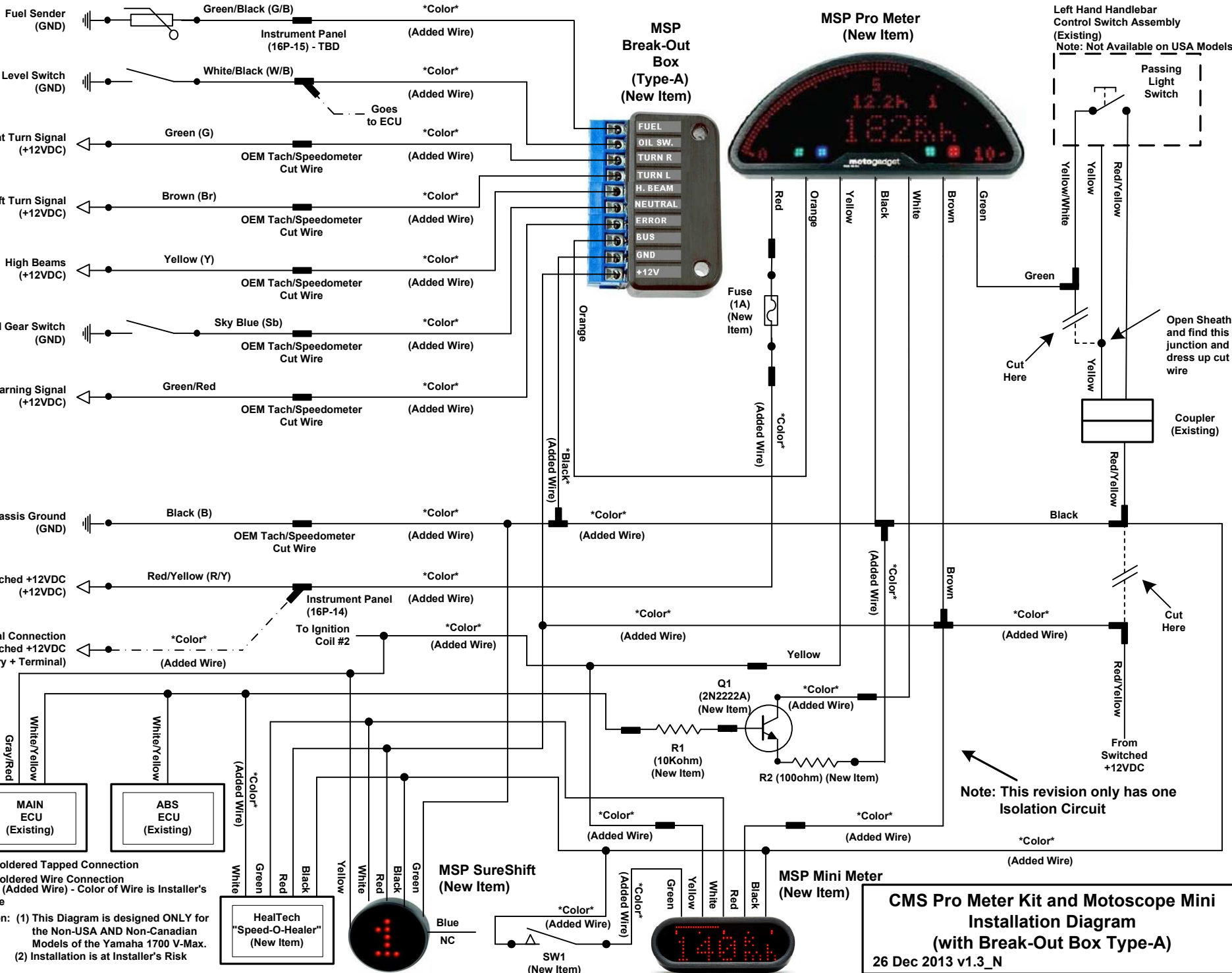
4

5

6

7

8



CMS Pro Meter Kit and Motoscope Mini Installation Diagram (with Break-Out Box Type-A)
26 Dec 2013 v1.3_N

● Soldered Tapped Connection
 ■ Soldered Wire Connection
 Color (Added Wire) - Color of Wire is Installer's Choice

Caution: (1) This Diagram is designed ONLY for the Non-USA AND Non-Canadian Models of the Yamaha 1700 V-Max.
 (2) Installation is at Installer's Risk