

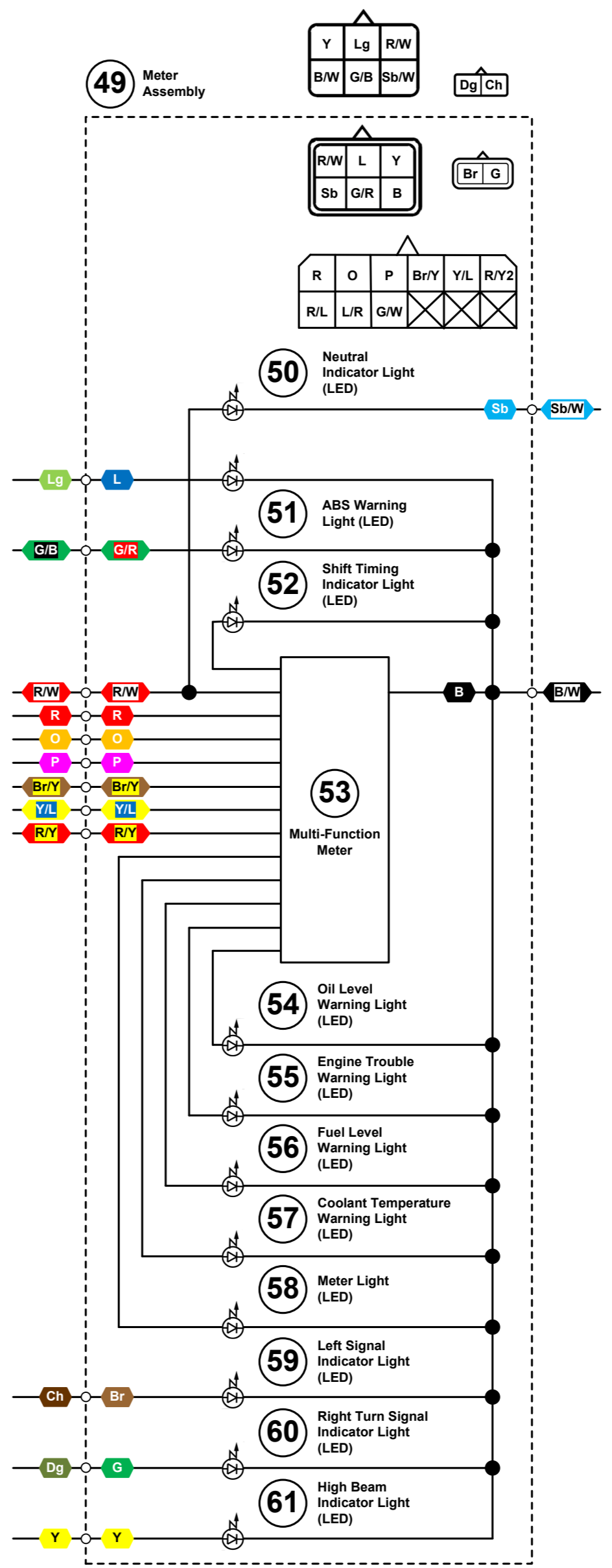
**Legend of Components**

- 17. Fuel pump
- 18. Fuel Sender
- 30. ECU (Engine Control Unit)
- 33. Cylinder-#2 Ignition Coil
- 36. Spark Plug
- 47. ABS ECU (Electronic Control Unit)
- 48. SELECT/RESET Button Unit
- 49. Meter Assembly 1
- 50. Neutral Indicator Light
- 51. ABS Warning Light
- 52. Shift Timing Indicator Light
- 53. Multi-Function Meter
- 54. Oil Level Warning Light
- 55. Engine Trouble Warning Light
- 56. Fuel Level Warning Light
- 57. Coolant Temperature Warning Light
- 58. Meter Light
- 59. Left Turn Signal Indicator Light
- 60. Right Turn Signal Indicator Light
- 61. High Beam Indicator Light
- 62. Meter Assembly 2

**Color Codes**

- <Solid Colors>**
- B Black
  - Br Brown
  - Ch Chocolate
  - Dg Dark Green
  - G Green
  - Gy Gray
  - L Blue
  - Lg Light Green
  - O Orange
  - P Pink
  - R Red
  - Sb Sky Blue
  - W White
  - Y Yellow
- <Solid Color/Stripe>**
- B/Br Black/Brown
  - B/L Black/Blue
  - B/O Black/Orange
  - B/R Black/Red
  - B/W Black/White
  - B/Y Black/Yellow
  - Br/R Brown/Red
  - Br/W Brown/White
  - Br/Y Brown/Yellow
  - G/B Green/Black
  - G/R Green/Red
  - G/W Green/White
  - G/Y Green/Yellow
  - Gy/B Gray/Black
  - Gy/G Gray/Green
  - Gy/R Gray/Red
  - L/B Blue/Black
  - L/G Blue/Green
  - L/R Blue/Red
  - L/W Blue/White
  - L/Y Blue/Yellow
  - Lg/L Light Green/Blue
  - Lg/W Light Green/White
  - O/B Orange/Black
  - O/G Orange/Green
  - P/B Pink/Black
  - P/W Pink/White
  - R/B Red/Black
  - R/G Red/Green
  - R/L Red/Blue
  - R/W Red/White
  - R/Y Red/Yellow
  - Sb/W Sky Blue/White
  - W/B White/Black
  - W/L White/Blue
  - W/R White/Red
  - W/Y White/Yellow
  - Y/B Yellow/Black
  - Y/L Yellow/Blue
  - Y/R Yellow/Red
  - Y/W Yellow/White

**Removed OEM Tach/Speedometer Assembly**



**Notes:**  
 (1): Cap and insulate for possible future use  
 ▲: One of unused wires originally going to OEM Tach/Speedometer, possibly for future use. Cap and insulate for now  
 \*COLOR\*: Installer decide color to use for newly added wire

**Wiring Diagram for MSP Pro Meter on Yamaha V-Max 1700**  
 (This diagram is for the USA/Canadian Models)