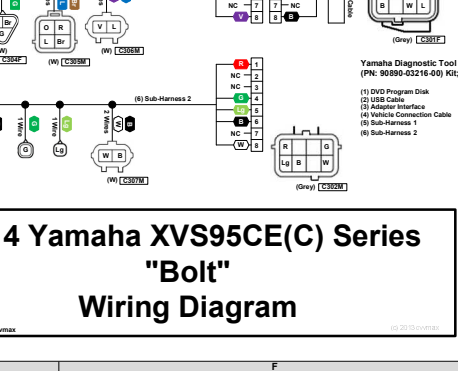


- LEGENDS**
- AC Magneto
 - Rectifier/Regulator
 - Main Switch
 - Main Fuse (40A)
 - Battery (Yuasa YTZ14S 12V/11.2AH)
 - Engine Ground
 - Fuel Injection System Fuse (10A)
 - Starter Relay
 - Starter Motor
 - Joint Connector
 - Signaling System Fuse (7.5A)
 - Tail/Brake Light Fuse (7.5A)
 - Ignition Fuse (15A)
 - Backup Fuse (7.5A)
 - Headlight Fuse (20A)
 - Joint Coupler
 - Relay Unit
 - Starting Circuit Cut-Off Relay
 - Fuel Pump Relay
 - Sidelstand Switch
 - Neutral Switch
 - Speed Sensor
 - Engine Temperature Sensor
 - Intake Air Temperature Sensor
 - Crankshaft Position Sensor
 - Rear Lean Angle Sensor
 - Throttle Position Sensor
 - Intake Air Pressure Sensor
 - ISC (Idle Speed Control) Unit
 - Yamaha Diagnostic Tool Coupler
 - ECU (Engine Control Unit)
 - Front Cylinder Ignition Coil
 - Spark Plug
 - Rear Cylinder Ignition Coil
 - Rear Cylinder Injector
 - Rear Cylinder Injector
 - Fuel Pump
 - Oil Level Switch
 - Meter Assembly
 - Neutral Indicator Light (LED)
 - Multi-Function Meter
 - Engine Trouble Warning Light (LED)
 - Oil Level Warning Light (LED)
 - Fuel Level Warning Light (LED)
 - Meter Light (EL - Electroluminescent)
 - High Beam Indicator Light (LED)
 - Turn Signal Indicator Light (LED)
 - Fuel Sender
 - Turn Signal Relay
 - Headlight Relay
 - Right Handbrake Switch (as Modified with PN: 1XC-83972-00-00)
 - Dimmer Switch
 - Turn Signal Switch
 - Horn Switch
 - Clutch Switch
 - Auxiliary Light (Optional)
 - Horn
 - Headlight (Halogen 60W/55W)
 - Front Left Turn Signal/Position Light (23W/8W)
 - Front Right Turn Signal/Position Light (23W/8W)
 - Rear Left Turn Signal Light (21W)
 - Rear Right Turn Signal Light (21W)
 - License Plate Light (SW)
 - Tail/Brake Light Assembly
 - Tail/Brake Light (LED)
 - Right Handbrake Switch (as Modified with PN: 1XC-83969-00-00)
 - Front Brake Light Switch
 - Engine Stop Switch
 - Select Switch
 - Reset Switch
 - Rear Brake Light Switch
 - Passing Switch
 - Hazard Switch
 - Headlight Housing

- COLOR CODES**
- SOLID COLORS**
- B Black
 - Br Brown
 - Ch Chocolate
 - Db Dark Blue
 - Dg Dark Green
 - G Green
 - Gy Gray
 - Bl Blue
 - Lg Light green
 - O Orange
 - P Pink
 - R Red
 - Sb Sky blue
 - V Violet
 - W White
 - Y Yellow
- SOLID COLOR/STRIPE**
- B/G Black/Green
 - B/L Black/Blue
 - B/R Black/Red
 - B/W Black/White
 - B/Y Black/Yellow
 - Br/G Brown/Green
 - Br/L Brown/Blue
 - Br/W Brown/White
 - Br/Y Brown/Yellow
 - G/L Green/Blue
 - G/Y Green/Yellow
 - Gy/G Gray/Green
 - Gy/R Gray/Red
 - Gy/W Gray/White
 - L/B Blue/Black
 - L/G Blue/Green
 - L/R Blue/Red
 - L/W Blue/White
 - L/Y Blue/Yellow
 - P/L Pink/Blue
 - P/W Pink/White
 - R/B Red/Black
 - R/G Red/Green
 - R/L Red/Blue
 - R/W Red/White
 - R/Y Red/Yellow
 - Sb/W Sky Blue/White
 - W/B White/Black
 - W/G White/Green
 - W/L White/Blue
 - W/R White/Red
 - W/Y White/Yellow
 - Y/B Yellow/Black
 - Y/G Yellow/Green
 - Y/L Yellow/Blue
 - Y/R Yellow/Red



Note:
 (1) Black/White (B/W) (with Colored Tags) Wiring Diagram for those of you that hate those hard to read "Color" Yamaha Wiring Diagrams and for the "Color Blind".
 (2) This Wiring Diagram is for the following U.S.A. "Bolt" models:
 Standard - XVS95CEB, XVS95CECB, XVS95CEW and XVS95CECW
 R-Spec - XVS95CEGR, XVS95CEGY, XVS95CEGW and XVS95CEGY
 It does NOT reflect any components or wiring for "ABS" equipped models.

2014 Yamaha XVS95CE(C) Series "Bolt" Wiring Diagram