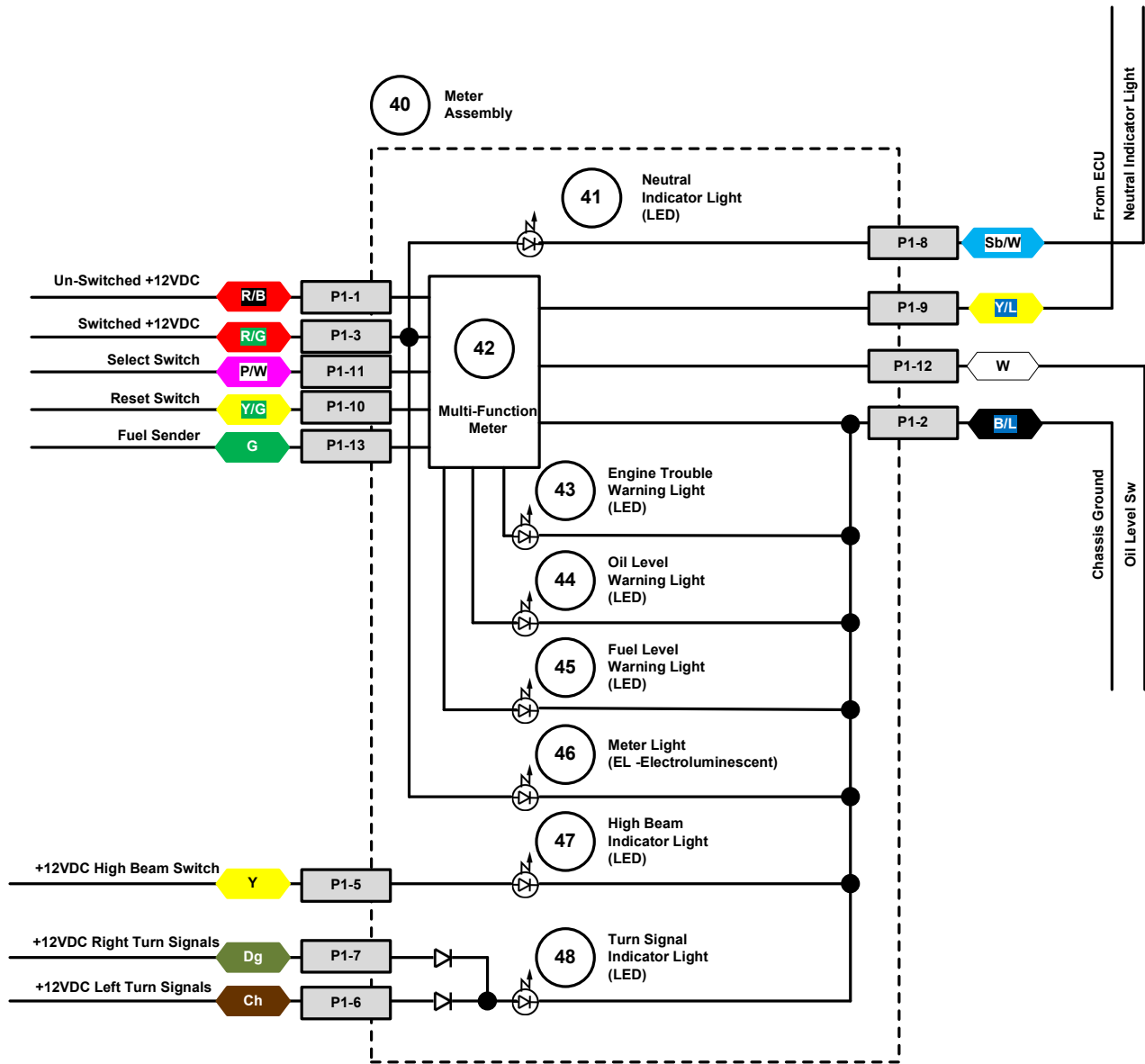
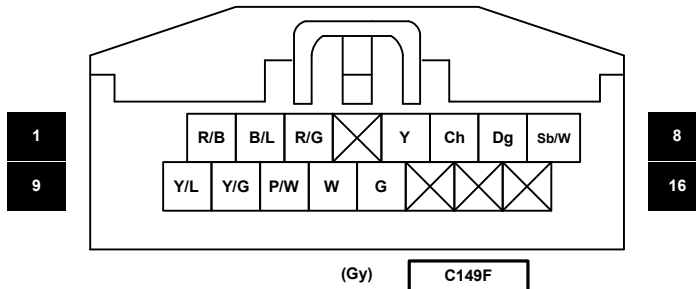


# BOLT XVS95CE(C)



P1 - Harness Side Coupler (F)



Caution : This Diagram is designed with the USA Model of the Yamaha XVS95CE(C) Bolt but is compatible with ALL models.

## Yamaha Bolt XVS95CE(C) Meter Interface Wiring Diagram

29 Apr 2014 v1.0\_U1

(c) 2014 cvvmax

● Soldered Tapped Connection

■ Soldered Wire Connection

\*New Color\* (Added Wire) - Color of Wire is Installer's Choice